

Place Preference

LF0827A

Panlab Place Preference Box is a standard experimental chamber for automated assessment of conditioned place preference in rodents, a test widely used for screening the reinforcing properties of drugs (or natural stimuli) as well as for investigation the brain neurobiological implicated in reward and addiction.



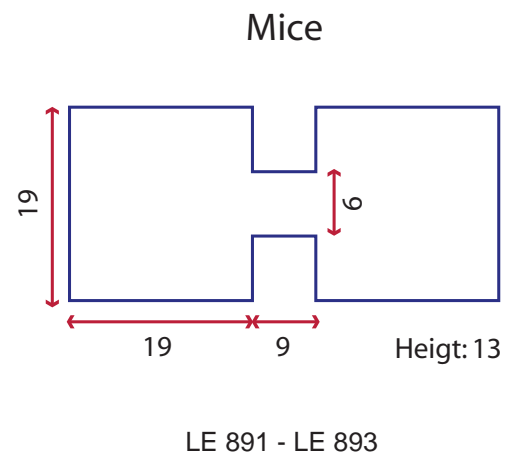
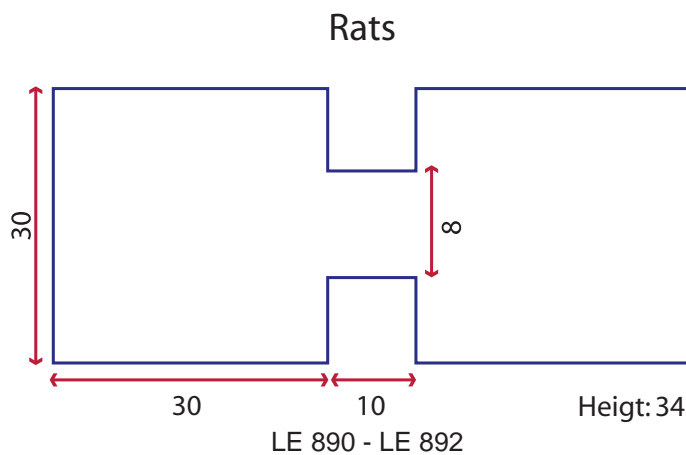
- Composed by three perspex compartments: two lateral compartments, one white and the other black, and one central gray compartment provided with connecting gates (with manually operated sliding doors).
- Soft and rough floors are supplied for the black & white compartments.
- Frontal panels are transparent but opaque extractable covers are already included.

The experimental Cages can be supplied with or without animal automatic position detection system.

The detection is carried out by weight sensors (transducers) located below of the floor. This system guaranties a full reliability avoiding the classical problems of the photo beam methods.

The automaic Cages are controlled by PPCWin Software.

Measurements (cm):



PPCWIN

The PPCWIN Software can control from one up to eight cages. It is not necessary the use of any device as interface, since the link is made by serial way and RS232 port (USB).

The Software has the following characteristics:

- Windows Platform: Millenium-NT-2000 and XP
- Length trial selected and Start/Stop separately for each Cage
- Permanence time in each compartment (and %)
- Total number of entries into the black, white and grey compartments (and %)
- Chronological sequence of animal displacements)
- Once a trial is over, ASCII files containing all the above information are generated.

						Entries			Permanence								
Session	Date	Box	Subject	Group	Duration	Total			% Total			Total			% Total		
						White	Grey	Black	White	Grey	Black	White	Grey	Black	White	Grey	Black
S1	20/07/2005 8:03:33	BOX 1	SUB 1	G1	0:01:15	1	2	2	20	40	40	0:00:20	0:00:28	0:00:27	26,67	37,33	36
S2	20/07/2005 8:03:50	BOX 3	SUB 3	G2	0:01:15	4	4	2	40	40	20	0:00:19	0:00:18	0:00:38	25,33	24	50,67
S3	20/07/2005 8:03:40	BOX 2	SUB 2	G1	0:01:45	5	4	2	45,45	36,36	18,18	0:00:43	0:00:31	0:00:31	40,95	29,52	29,52
S4	20/07/2005 12:00:40	BOX 1	AAA		0:00:02	0	0	0	0	0	0	0:00:00	0:00:00	0:00:00	0	0	0

Ordering Information:

Rats	LE 890 LE 892	Basic Place Preference Cage Automatic Place Preference System (needs PPCWin Software)
Mice	LE 891 LE 893	Basic Place Preference Cage Automatic Place Preference System (needs PPCWin Software)

Panlab, S.L.U.
C/ Energia,112
08940 Cornellá (Barcelona)
Spain

International Calls: + 34 934 750 697
National Calls: 934 190 709
Fax: + 34 934 750 699
www.panlab.com
info@panlab.com

Distributed by: