

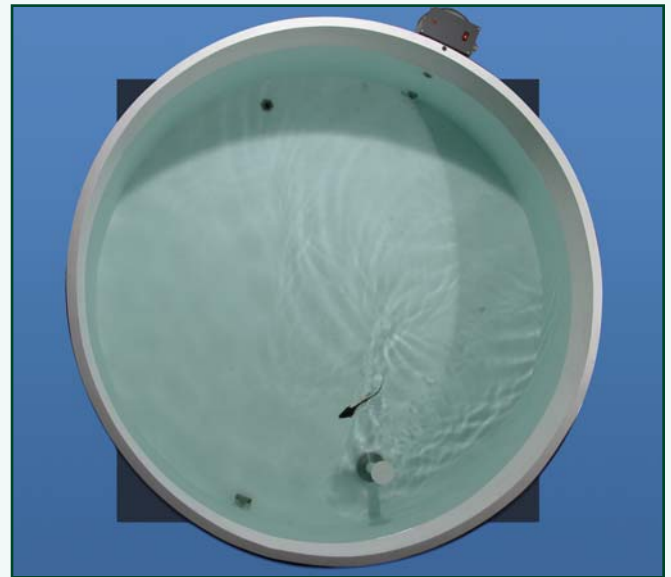
LE 820 Circular Pools

for evaluating learning and memory in rodents

LF0821A

Panlab circular pool provides the ideal environment to carry out the Morris and Radial Water Maze tests for the study of memory in rodents.

The circular pool is manufactured in grey polypropylene and stands on a support with 4 wheels for easier displacement and placing. Panlab proposes a complete solution for water maze settings since the heater, the water circulation pump, the level controller and the electro valve for pool filling are containing in a unique control box. The level controller acts directly on the Electro Valve, turning it off when the liquid arrives to the corresponding height. The water temperature is thermostated between 22 and 32 degrees depending on the environmental room temperature.

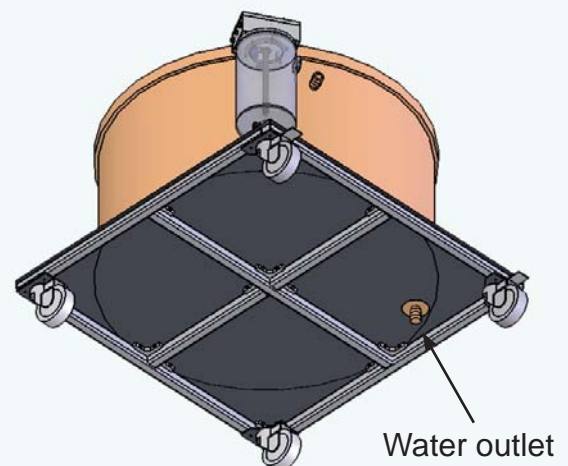
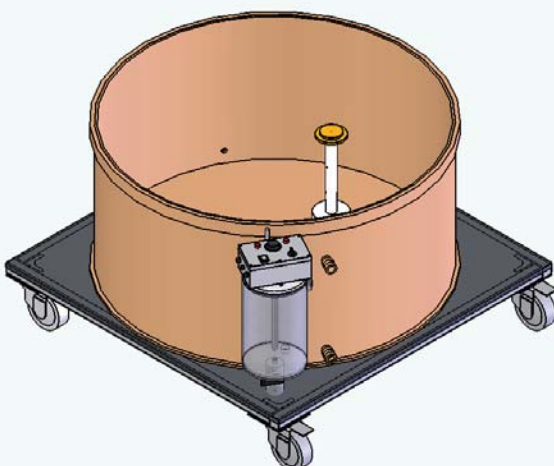


The circulation of the water, necessary to maintain the same temperature in all the pool, is performed without turbulences or burbles.

For Morris Water Maze Test, 2 easily interchangeable platforms are supplied (80 and 110 mm) that can be located anywhere in the pool.

For Radial Water Maze, a removable-floating eight radial-arm maze structure and associated platforms can be provided upon request.

Both Morris and Radial Water Mazes may be associated with the SMART Video-Tracking system for detection and analysis of animal displacements and behaviour throughout the test.

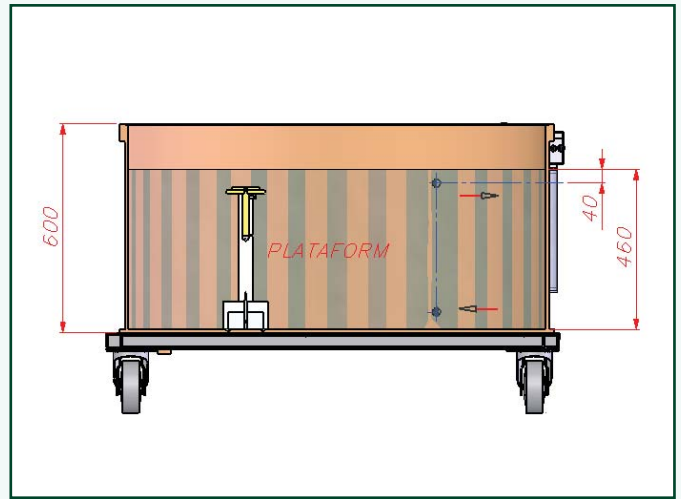


NEW

Atlantis LE 820300



Platform with external control of presence. It can be operated by remote switch or automatically through Smart Software.



View of normal water level

Models

Reference	Diam. (cm)	High (cm)	Volume (L)	Weight Filled (Kg)
LE 82090	90	50	350	420
LE 820120	120	60	620	705
LE 820140	140	60	850	960
LE 820170	170	60	1250	1387
LE 820200	200	60	1725	1893



In the Control Box are located:

- The Heater
- The Water Circulation Pump
- The Level Controller
- Electro valve for Pool filling

The Level Controller acts directly on the Electro Valve, turning it off when the liquid arrives to the corresponding high.

Technical Characteristics

Heater Power: 3.000 W
 Temperature Regulation: 22 – 32°C (depending on environment conditions)
 Heating Speed: 3°C / h (in the biggest model)
 Water Power Supply: 110/220 V, 50/60 Hz
 Input / Output Intake: 19 mm

Panlab, S.L.U.
 C/ Energia,112
 08940 Cornellá (Barcelona)
 Spain

International Calls: + 34 934 750 697
 National Calls: 934 190 709
 Fax: + 34 934 750 699
 www.panlab.com
 info@panlab.com

Distributed by: